



**VICTOR STANLEY, INC.®**

*-Manufacturers of Quality Site Furnishings since 1962-*

P.O. Drawer 330, Dunkirk, Maryland 20754 USA

[www.victorstanley.com](http://www.victorstanley.com)

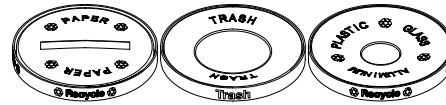
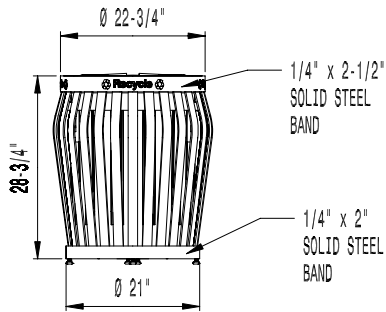
DYN-342 and DYN-242 Dynasty Series™  
MegaCan Recycling Stations and Litter Receptacles  
Patents Pending



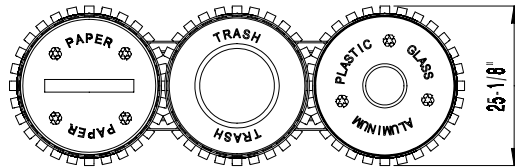
**VICTOR STANLEY, INC.®**  
*-Manufacturers of Quality Site Furnishings since 1962-*

P.O. DRAWER 330 - DUNKIRK, MD 20754 USA  
 TOLL FREE: (800) 368-2573 (USA & CANADA)  
 TEL (301) 855-8300 - FAX (410) 257-7579  
 WEB SITE: HTTP://WWW.VICTORSTANLEY.COM

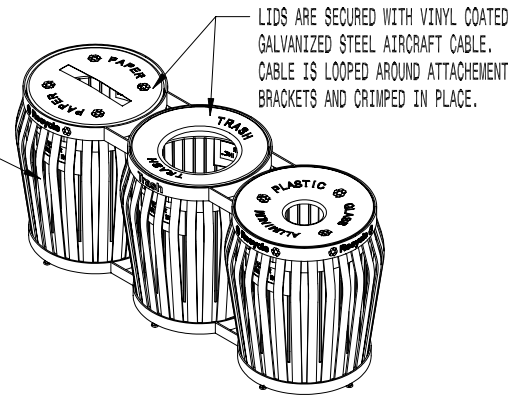
PATENTS PENDING



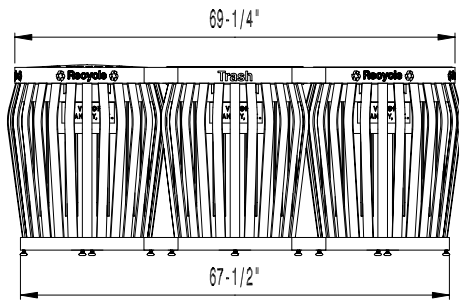
AVAILABLE WITH ANY SEQUENCE OF DECALED LID AND TOP BAND



$1/4" \times 1-1/2"$   
 VERTICAL SOLID  
 STEEL BARS



LIDS ARE SECURED WITH VINYL COATED GALVANIZED STEEL AIRCRAFT CABLE. CABLE IS LOOPED AROUND ATTACHMENT BRACKETS AND CRIMPED IN PLACE.



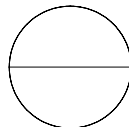
$3/4"$  SQUARE ANCHOR  
 BOLT HOLES

(12) LEVELING FEET WITH  
 A  $3/8"$  DIAMETER  
 THREADED STEEL SHAFT

(3) 36-GALLON CAPACITY HIGH  
 DENSITY PLASTIC LINERS  
 (WEIGHT NOT TO EXCEED 6 LBS.)  
 SIT ON  $3/8" \times 1"$  SUPPORT BARS

NOTES:

1. DRAWINGS NOT TO SCALE. DO NOT SCALE DRAWINGS.
2. ALL FABRICATED METAL COMPONENTS ARE STEEL SHOTBLASTED, ETCHED, PHOSPHATIZED, PREHEATED, AND ELECTROSTATICALLY POWDER-COATED WITH T.G.I.C. POLYESTER POWDER COATINGS. PRODUCTS ARE FULLY CLEANED AND PRETREATED, PREHEATED AND COATED WHILE HOT TO FILL CREVICES AND BUILD FILM COATING. COATED PARTS ARE THEN FULLY CURED TO COATING MANUFACTURER'S SPECIFICATIONS. THE THICKNESS OF THE RESULTING FINISH AVERAGES 8-10 MILS (200-250 MICRONS).
3. THIS VICTOR STANLEY, INC. PRODUCT MUST BE PERMANENTLY AFFIXED TO THE GROUND. CONSULT YOUR LOCAL CODES FOR REGULATIONS.
4. VICTOR STANLEY, INC., PLASTIC INNER LINERS ARE MOLDED ON TOOLING DESIGNED FOR AND OWNED BY VICTOR STANLEY, INC. THEY OFFER MAXIMUM CAPACITY AND STRENGTH WITH LIGHTWEIGHT CONSTRUCTION USING CRITICAL MOLDED RIBS, INTEGRAL HANDHOLDS, AND HIGH-STRENGTH MATERIALS. THIS MINIMIZES HANDLING DIFFICULTY AND FACILITATES EASY EMPTYING AND STORAGE WHILE AFFORDING LONG SERVICE LIFE.
5. ANCHOR BOLT(S) NOT PROVIDED BY VICTOR STANLEY, INC.
6. FOR HIGH SALT ABUSIVE CLIMATES, HOT DIP GALVANIZING BEFORE POWDER COATING IS AVAILABLE. SEE WRITTEN SPECIFICATIONS FOR DETAILS.
7. ALL SPECIFICATIONS ARE SUBJECT TO CHANGE. CONTACT MANUFACTURER FOR DETAILS.
8. THIS PRODUCT IS SHIPPED FULLY ASSEMBLED.



**DYN-336**

DYNASTY SERIES™

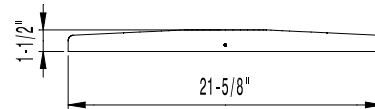
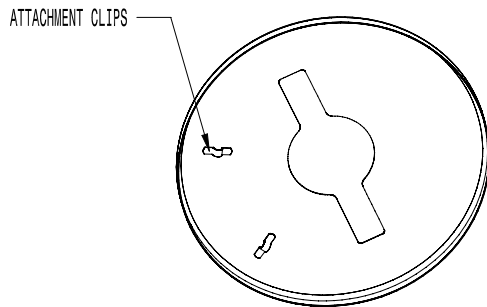
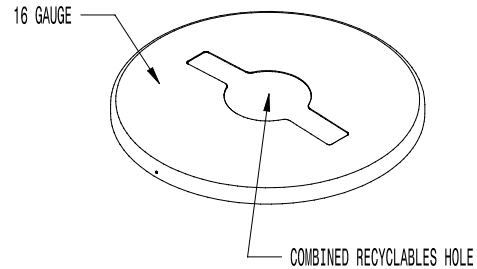
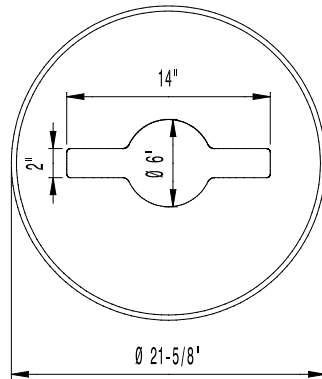
SHOWN: STANDARD 3-LINER MEGACAN  
 STANDARD RECYCLE PACKAGE



**VICTOR STANLEY, INC.®**  
*-Manufacturers of Quality Site Furnishings since 1962-*

P.O. DRAWER 330 - DUNKIRK, MD 20754 USA  
 TOLL FREE: (800) 368-2573 (USA & CANADA)  
 TEL (301) 855-8300 - FAX (410) 257-7579  
 WEB SITE: HTTP://WWW.VICTORSTANLEY.COM

\* ALL DIMENSIONS ARE IN INCHES \*



**AVAILABLE OPTIONS:**

**POWDER COATING**

10 STANDARD COLORS, 2 OPTIONAL METALLIC COLORS,  
 CUSTOM COLORS (INCLUDING THE RAL RANGE)

**CUSTOM DECALS**

AVAILABLE WITH PRESSURE SENSITIVE VINYL OUTDOOR DECALS.

**RECEPTACLES**

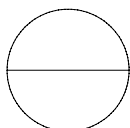
DYN-36, DYN-42, DYN-45, DYN-242, DYN-342, DYN-236, DYN-336, ES-142  
 ES-242, ES-342, S-42, S-424, S-45, PRS-36, PRS-45 RTC-40, FC-12,  
 RS-12, T-32, GSF-32, GST-32, RB-36, RB-45 AND OTHERS.  
 (CONTACT CUSTOMER SERVICE FOR DETAILS)

**SECURITY**

LID SECURED WITH VINYL COATED GALVANIZED STEEL AIRCRAFT CABLE.  
 CABLE IS LOOPED AROUND WELDED IN PLACE ATTACHMENT BRACKETS  
 AND CRIMPED IN PLACE. (MOUNTING MAY VARY BETWEEN RECEPTACLES)

**NOTES:**

1. DRAWINGS NOT TO SCALE. DO NOT SCALE DRAWINGS.
2. ALL FABRICATED METAL COMPONENTS ARE STEEL SHOTBLASTED, ETCHED, PHOSPHATIZED, PREHEATED, AND ELECTROSTATICALLY POWDER-COATED WITH T.G.I.C. POLYESTER POWDER COATINGS. PRODUCTS ARE FULLY CLEANED AND PRETREATED, PREHEATED AND COATED WHILE HOT TO FILL CREVICES AND BUILD COATING FILM. COATED PARTS ARE THEN FULLY CURED TO COATING MANUFACTURER'S SPECIFICATIONS. THE THICKNESS OF THE RESULTING FINISH AVERAGES 8-10 MILS (200-250 MICRONS).
3. ALL SPECIFICATIONS ARE SUBJECT TO CHANGE. CONTACT MANUFACTURER FOR DETAILS.
4. THIS PRODUCT IS SHIPPED FULLY ASSEMBLED.



**REC-2SLTRECCMB**

**SPECIAL**

CONVEX LID

TOP LOAD RECEPTACLE LID

SHOWN: SPECIAL COMBINED RECYCLABLES HOLE  
 SPECIAL 6" HOLE AND 2" x 14" SLOT

**CUSTOM DECAL FOR SPECIAL COMBINATION LID**  
**CLIENT: NORTHWESTERN UNIVERSITY**

**GRAPHICS APPLICATION:** The graphics will be digitally printed onto a pressure sensitive vinyl decal and applied to the lid.  
**LID SIZE:** 21.625" Diameter  
**LID COLOR:** Black  
**DECAL SIZE:** 14.5" Outer Diameter  
**VINYL MATERIAL COLOR:** Clear  
**PRINTED COLOR(S):** White

*Approximate size of text on decal.*



Customer Approval

Date: \_\_\_\_/\_\_\_\_/\_\_\_\_

← 21.625" Lid Diameter →



*Specifications and art are subject to change at manufacturer's discretion to ensure proper fit and/or optimum output. Drill pattern may vary.*