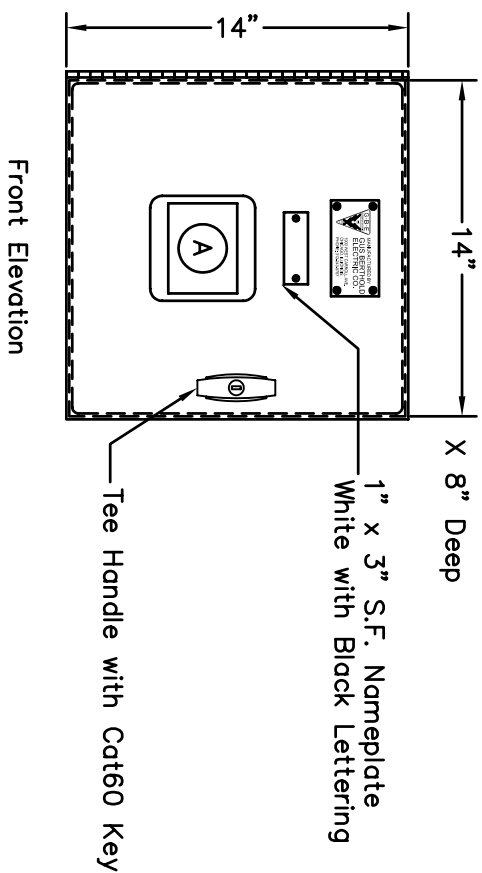
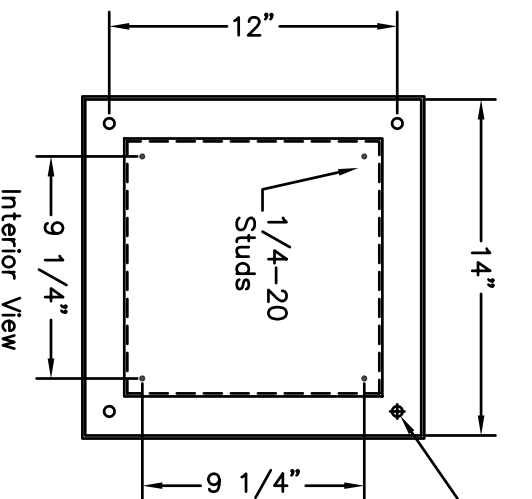
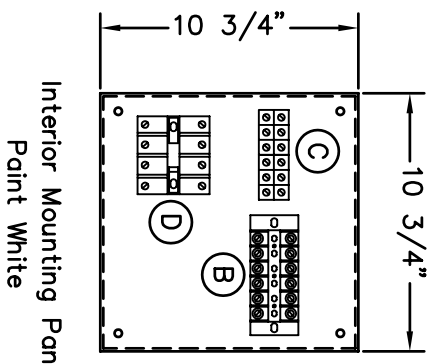


Construction Notes:

1. Enclosure to be constructed from 14Ga. hot-rolled sheet steel, welded construction.
2. Front door to be constructed from 14Ga. HR, formed on all sides with concealed hinge. Door to be held closed with locking handle with Cat 60 key.
3. Interior pan to be constructed from 14Ga. HR, formed with corners welded and ground smooth. Paint pan white

Components List

Item No.	Quantity ~ Catalog Number	Manuf.	Description
(A)	1 ~ Electro-Industries Shark200-60-10-V5-D2 INP-100S-X		Shark 200 Multi-Function Digital Meter with Ethernet Port Capability
(B)	1 ~ Marathon 1604SC		6 Point CT Shorting Block
(C)	1 ~ USD NDN63-WH		6 Point Terminal Block
(D)	1 ~ Ferraz-Shawmut 30354		600V, 30A, 4P, Midget Class Fuse Block
(E)	3 ~ Ferraz-Shawmut ATM 1/10		600V, 1/10A, Fast Acting Midget Class Fuse rated 100KA I.R.
(F)	1 ~ Ferraz-Shawmut ATQ3		500V, 3A Midget Time Delay Fuse rated 10KA I.R.
(G)	3 ~ Electro-Industries N/A		See 12-1353-3 for CT Requirements



FOR:		Northwestern University Evanston Campus	
CONTRACTOR: Kelso Burnett		P.O.#	
TITLE:		Metering Enclosure Layout Component Schedule	
DRAWN: MSH		SCALE: 1 1/2" = 1'	
DATE: 11-08-12		DWG. SIZE: A	
DRAWING NO.		12-1353-1	

Gus Berthold Electric Co.
 1900 W. CARROLL AVENUE
 CHICAGO, ILLINOIS 60612
 TELE. 312-243-5767 FAX. 312-243-5811